

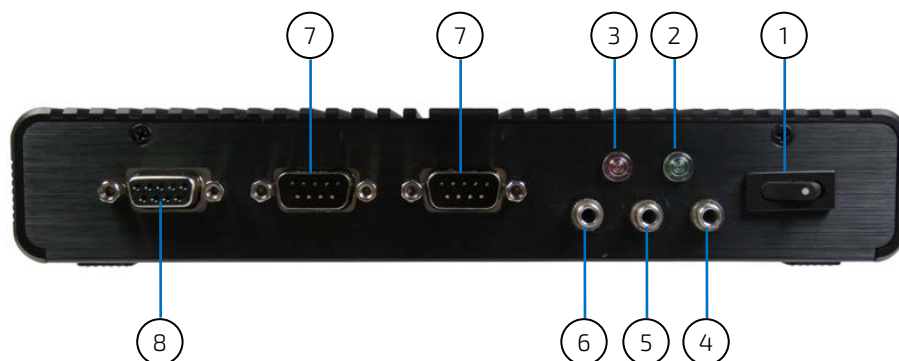
▶ KBox E-210 SERIES - QUICK INSTALLATION GUIDE

Thank you for purchasing the Kontron KBox E-210 Series fanless box PC. This document provides information to allow you to quickly install this product.

Packing Checklist

1. Take the KBox E-210 Series out of the packing box and check if the unit is properly secure in the plastic bag.
2. Check the contents of the carton box: (*: optional)
 - ▶ 1x KBox E-210 Series
 - ▶ 1x Power Adapter
 - ▶ 1x Power Cord
 - ▶ Internal 2.5" SATA HDD / SSD*
 - ▶ mPCIe card*
 - ▶ M.2 Key B card*
 - ▶ Antenna(s)*
 - ▶ VESA Mounting Kit*

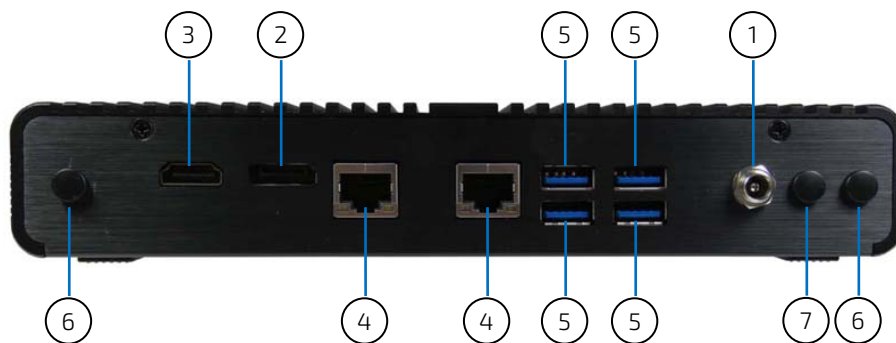
Front I/O Panel



- 1 Power Switch
- 2 Power LED
- 3 Storage LED
- 4 Line-In
- 5 Line-Out

- 6 Mic-In
- 7 RS232/422/485
- 8 Digital I/O

Rear I/O Panel



- 1 DC-In
- 2 DP
- 3 HDMI 2.0
- 4 GbE
- 5 USB 3.0
- 6 Wi-Fi Antenna Port
- 7 3G / 4G Antenna Port