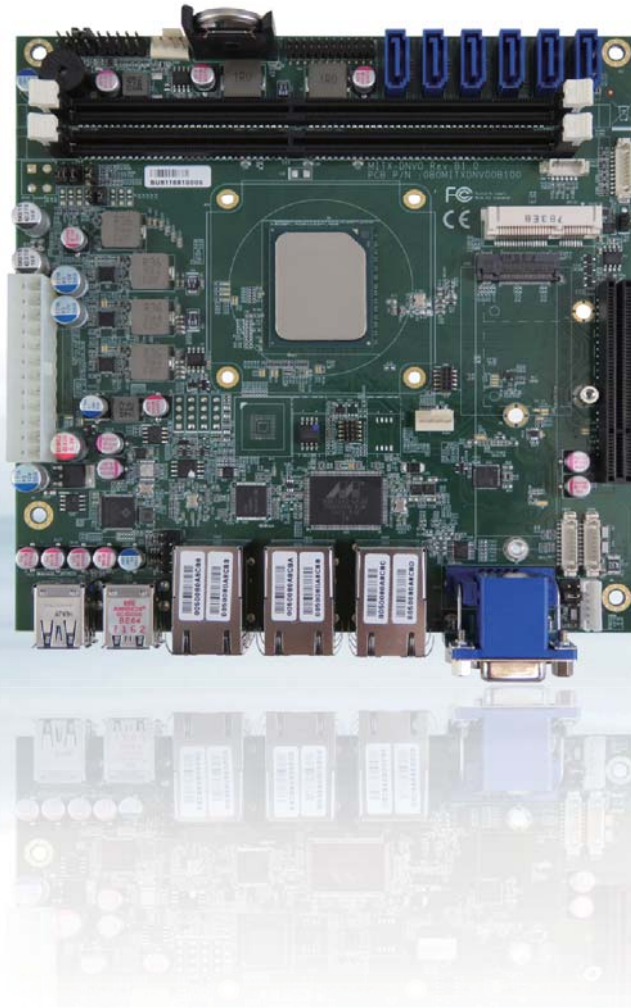


mITX-DNV

IDEAL FOR DENSE LOW-POWER APPLICATIONS



MINI-ITX INDUSTRIAL MOTHERBOARD WITH INTEL® DENVERTON PROCESSORS

- ▶ 1x VGA for display output
- ▶ 6x GbE LAN for Ethernet
- ▶ 4x USB 3.0, 2x USB 2.0, 2x RS232/422/485, 1x 8-bit DIO for peripherals
- ▶ Up to 6x SATA 3.0, Up to 1x mSATA, 1x M.2 Key B, optional eMMC for storage
- ▶ Up to 1x mPCIe, 1x PCIe x8 for expansion

mITX-DNV

MINI-ITX INDUSTRIAL MOTHERBOARD WITH INTEL® DENVERTON PROCESSOR

mITX-DNV is a Mini-ITX industrial motherboard equipped with Intel® Denverton SoC processors, Atom™ C3000 Series, which is specially suitable for dense low-power network, storage, and IoT applications.

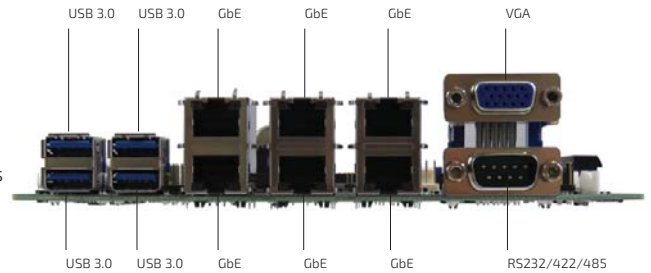
It has up to six SATA3.0 sockets and one M.2 Key B socket for HDD / SSD storage device connection as well as optional eMMC drive

soldered on-board. In addition, It also supports 6 GbE LAN ports to deliver sufficient traffic flow for huge data volumes.

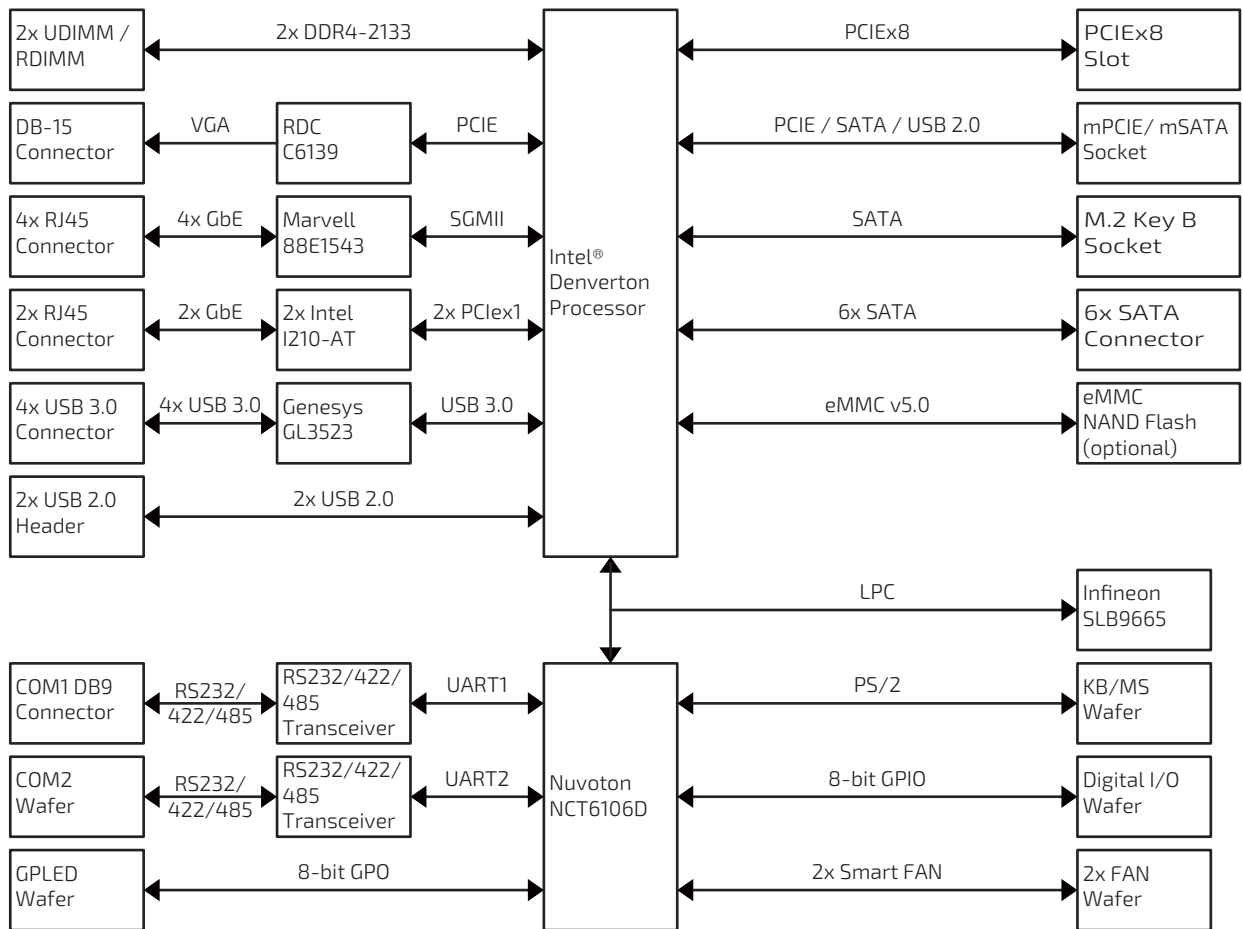
mITX-DNV reserves one mPCIe slot and one PCIe x8 slot, allowing users to expand specific functions such as wireless connection or additional network interface card.

PRODUCT HIGHLIGHTS

- ▶ Intel® Denverton Processor, Atom™ C3000 Series
- ▶ Up to 2x DDR4 UDIMM memory socket
- ▶ 1x VGA for video output
- ▶ 6x GbE LAN for Ethernet
- ▶ 4x USB 3.0, 2x USB 2.0, 2x RS232/422/485, 1x 8-bit DIO for peripherals
- ▶ Up to 6x SATA 3.0, 1x M.2 Key B, optional eMMC for storage
- ▶ Up to 1x mPCIe, 1x PCIe x8 for expansion
- ▶ TPM 2.0 support
- ▶ Extended temperature model available: -20 °C – 70 °C



BLOCK DIAGRAM



► TECHNICAL INFORMATION

SYSTEM	PROCESSOR	Intel® Atom™ C3338 (Dual Core, 4M Cache, up to 2.20 GHz, FCBGA1310, 9 W TDP)
	MEMORY	Intel® Atom™ C3538 (Quad Core, 8M Cache, up to 2.10 GHz, FCBGA1310, 15 W TDP) 1x DDR4 1866 UDIMM (Atom™ C3338 model) 2x DDR4 2133 UDIMM (Atom™ C3538 model)
VIDEO	GRAPHICS	RDC® C6139
	DISPLAY INTERFACE	1x VGA (on rear, 1024 x 768 @ 60 Hz)
NETWORK CONNECTION	ETHERNET	6x GbE LAN (RJ45 on rear, 2x Intel® I210-AT, 4x Marvell® 88E1543)
PERIPHERAL CONNECTION	USB	4x USB 3.0 (Type A on rear from HUB) 2x USB 2.0 (by wafer from SoC)
	SERIAL PORT	2x RS232/422/485 (1x DB9 on rear w/ 5 V / 12 V output support, 1x by wafer)
	OTHER I/Os	1x 8-bit DIO (by wafer) 1x PS/2 Keyboard / Mouse (by wafer)
STORAGE & EXPANSION		Up to 6x SATA 3.0 eMMC support (optional) 1x M.2 Key B (type 2280, for SSD only) 1x mPCIe / mSATA (full size, mixed with SATA, USB 2.0) 1x PCIe x8 (supporting PCIe x1 / x4 / x8 depending on HSIO selection) 1x Micro SIM Card Cage (by wafer)
POWER	CONNECTOR	2x12-pin ATX connector
	INPUT VOLTAGE	DC +5 V / -5 V / +12 V / -12 V / +3.3 V / 5 VSB
FIRMWARE	BIOS	AMI uEFI BIOS w/ 128 Mb SPI Flash
	WATCHDOG	Programmable WDT to generate system reset event
	H/W MONITOR	Voltages, Temperatures
	REAL TIME CLOCK	SoC integrated RTC
	TPM	Optional (Infineon SLB9665 TPM 2.0)
SYSTEM CONTROL & MONITORING	FP HEADER	1x Header for Reset button, HDD LED & External Speaker 1x Header for Power button, Power LED & SM bus 1x Header for 6x LAN LED 1x Header for mPCIe LED 1x Header for 8-bit GPLED
COOLING	FAN	1x Wafer for CPU Smart Fan 1x Wafer for System Smart Fan
SOFTWARE	OS SUPPORT	Windows Server, Linux
MECHANICAL	DIMENSION (L x W)	Mini-ITX (170 mm x 170 mm / 6.70" x 6.70")
ENVIRONMENTAL	OPERATION TEMPERATURE	0 °C ~ 60 °C / 32 °F ~ 140 °F (Standard)
	STORAGE TEMPERATURE	-20 °C ~ 70 °C / -4 °F ~ 158 °F (Extended)
	HUMIDITY	-20 °C ~ 80 °C / -4 °F ~ 176 °F (Standard) -40 °C ~ 85 °C / -40 °F ~ 185 °F (Extended) 0% ~ 95%
CERTIFICATION	EMC & SAFETY	CE, FCC Class A

▶ ORDERING INFORMATION

ARTICLE	DESCRIPTION
miTX-DNV-C3338	Intel® Atom™ C3338, 1x DDR4 UDIMM, Operating Temperature: 0 °C ~ 60 °C
miTX-DNV-C3538	Intel® Atom™ C3538, 2x DDR4 UDIMM, Operating Temperature: 0 °C ~ 60 °C
miTX-DNV-C3338-ET	Intel® Atom™ C3338, 1x DDR4 UDIMM, Operating Temperature: -20 °C ~ 70 °C
miTX-DNV-C3538-ET	Intel® Atom™ C3538, 2x DDR4 UDIMM, Operating Temperature: -20 °C ~ 70 °C

OPTIONAL ACCESSORIES - CABLING

COM PORT CABLE	D-SUB 9P (male) to KB915-10H 1x10P 1.25 pitch, L = 230 mm
DIO CABLE	WL1025H-10P (51021) 1x10P 1.25 pitch to F83N-3.81-10P 1x10P (female) + F736-3.81-10P 1x10P (male), L = 100 mm
USB 2.0 CABLE (2 PORTS)	2.54 mm 2x5P to 2x USB connectors, L = 34 cm
SATA CABLE	SATA cable with Lock , SATA 1x7P Pitch: 1.27 mm, L = 460 mm
PS/2 CABLE	Y-cable, 6-pin pitch 2.0 mm wafer connector to KB & MS connector, L = 25 cm
SIM CARD HOLDER KIT	3G mini SIM card holder kit, w/ 1x SIM card holder, 1x 3G SIM card cable
HEATSINK	60 x 60 x 45 mm, AL6063, Push Pin x4, Thermal Pad: TMP-35 32 x 32 x 0.2 mm [HOJET HJ1709033] Lead Free
COOLER	60 x 60 x 30 mm, Heatsink: AL6063-T5 60 x 60 x 16.5 mm, Fan: R126010BHAe F8H7aR 60 x 60 x 10.3 mm, Thermal Pad: PSX_K 30 x 30 x 0.2 mm, w/ Bracket Lead Free

▶ GLOBAL HEADQUARTERS

KONTRON S&T AG

Lise-Meitner-Str. 3-5
 86156 Augsburg, Germany
 Tel.: + 49 821 4086 0
 Fax: + 49 821 4086 111
 info@kontron.com
www.kontron.com