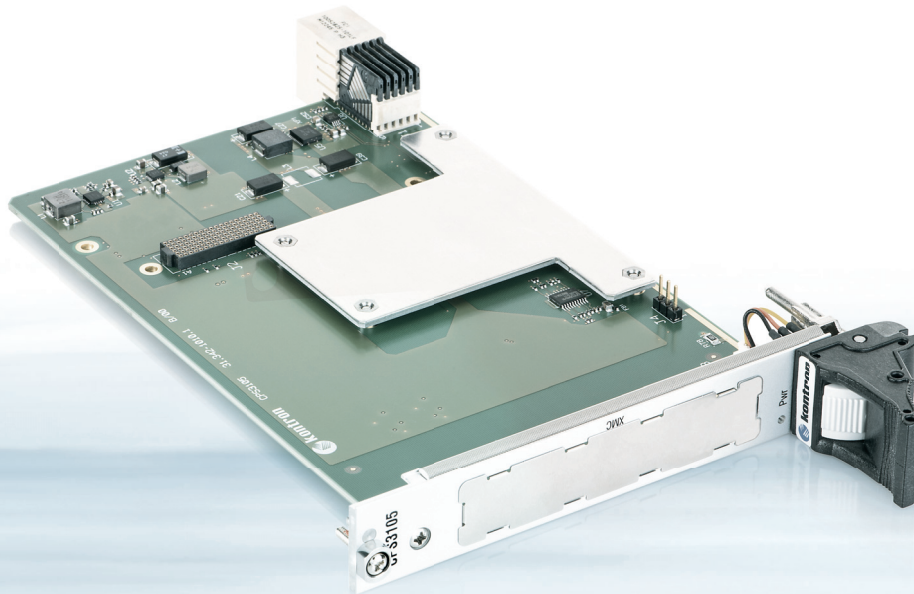


CPS3105



3U CPCI-S.0 SMC CARRIER

- ▶ versatile solution
- ▶ high-performance implementation
- ▶ service-friendly design

POSSIBILITIES START HERE

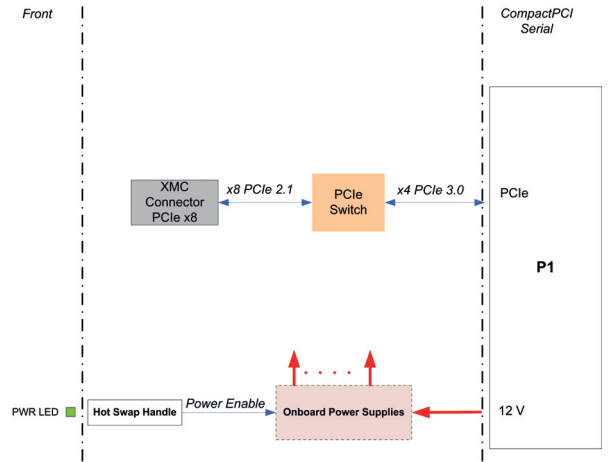


kontron

CPS3105

3U CPCI-S.0 XMC CARRIER

The CPS3105 is a 3U CompactPCI® Serial carrier board that provides support for one XMC module. The carrier board is intended to offer system designers a cost-effective solution to expand the systems I/O capability using a wide range of XMCs available on the market. The CPS3105 is equipped with a dedicated PCI Express® Switch between the onboard XMC connector and the CPCI-S.0 system connector providing two advantages. First, it decouples and buffers the PCI Express® signals and restores signal integrity. Second, it is able to convert one x4 PCI Express 3.0 data stream from the system side into one x8 PCI Express®2.1 data stream to the XMC side. Thus, maximum data bandwidth can be provided to commonly available XMC modules based on PCI Express® 2.1.



TECHNICAL INFORMATION

FRONT INTERFACES	XMC LEDs HOT SWAP HANDLE	XMC front panel bezel cutout Pwr (Power): Power Status of the CPS3105 If the HS handle is pressed, the onboard power supplies will be shut down and the board can be safely removed from the CPCI-S.0 system
ONBOARD CONTROLLER	PCI EXPRESS SWITCH	PCI Express® Switch from PLX Technology, Used to convert one x4 PCI Express 3.0 interface to one x8 PCI Express 2.1 interface
ONBOARD INTERFACES	XMC CONNECTOR	One onboard XMC connector (P15) with one x8 PCI Express 2.1 interface (up to 5 GT/s)
CompactPCI SERIAL INTERFACE	CPCI-S.0 INTERFACE	P1 CPCI-S.0 connector supporting one x4 PCI Express 3.0 interface
COMPLIANCY		<ul style="list-style-type: none"> - CompactPCI® Serial Specification PICMG® CPCI-S.0 R1.0 - XMC Specifications ANSI/VITA 42.0 and ANSI/VITA 42.3 - Safety: compliant to IEC60950-1, EN60950-1, UL94-V0; designed to meet: UL60950-1, CSA 22.2 No. 60950-1 - EMC: compliant to EN55022 Class B, EN55024, EN61000-6-1/ -2/ -3 /-4, EN50121-3-2 (Railway); designed to meet: FCC, VCCI, BSMI
GENERAL	DIMENSIONS WEIGHT MTBF POWER CONSUMPTION	3U/4HP, 100 x 160 mm 140 g 1,072,111 h acc. to MIL-HDBK-217 FN2, Ground Benign, controlled at 30° Approx. 4.7 W (without XMC module)
ENVIRONMENTAL	OPERATING TEMPERATURE STORAGE TEMPERATURE CLIMATIC HUMIDITY	0° C to +60° C standard, -40° C to +85° C extended temperature -40° C to +85° C (without additional components) 93 % RH at 40° C, non-condensing (acc. to IEC 60068-2-78)

ORDERING INFORMATION

ARTICLE	DESCRIPTION
CPS3105	3U/4HP carrier for one XMC module

Please contact your local sales representative for other configuration options.

CORPORATE OFFICES

EUROPE, MIDDLE EAST & AFRICA

LiSe-Meitner-Str. 3-5
86156 Augsburg
Germany
Tel.: + 49 821 4086 0
Fax: + 49 821 4086 111
info@kontron.com

NORTH AMERICA

14118 Stowe Drive
Poway, CA 92064-7147
USA
Tel.: + 1 888 294 4558
Fax: + 1 858 677 0898
info@us.kontron.com

ASIA PACIFIC

1-2F, 10 Building, No. 8 Liangshuihe 2nd Street,
Economical & Technological Development Zone,
Beijing, 100176, P.R.China
Tel.: +86 10 63751188
Fax: +86 10 83682438
info@kontron.cn

Copyright © 2015 Kontron AG. All rights reserved. All data is for information purposes only and not guaranteed for legal purposes. Information has been carefully checked and is believed to be accurate; however, no responsibility is assumed for inaccuracies. Kontron, the Kontron logo and all other trademarks or registered trademarks are the property of their respective owners and are recognized. Specifications are subject to change without notice. CPS3105-20151027-WMH